



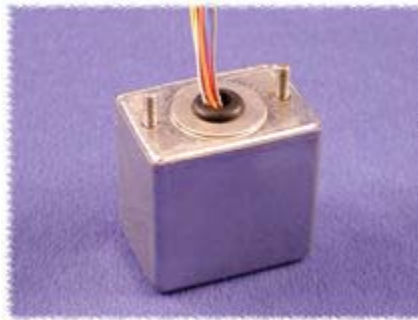
**Audio  
Broadcast Quality  
Sealed (850 "A" Series)**

[Home](#)
[Products](#)
[Distributors](#)
[Technical](#)
[Contact Us](#)
[Other Options](#)

**Path:** [Home](#) > [Transformer Index](#) > [Audio](#) > **Broadcast Quality - Audio**



click to enlarge



click to enlarge

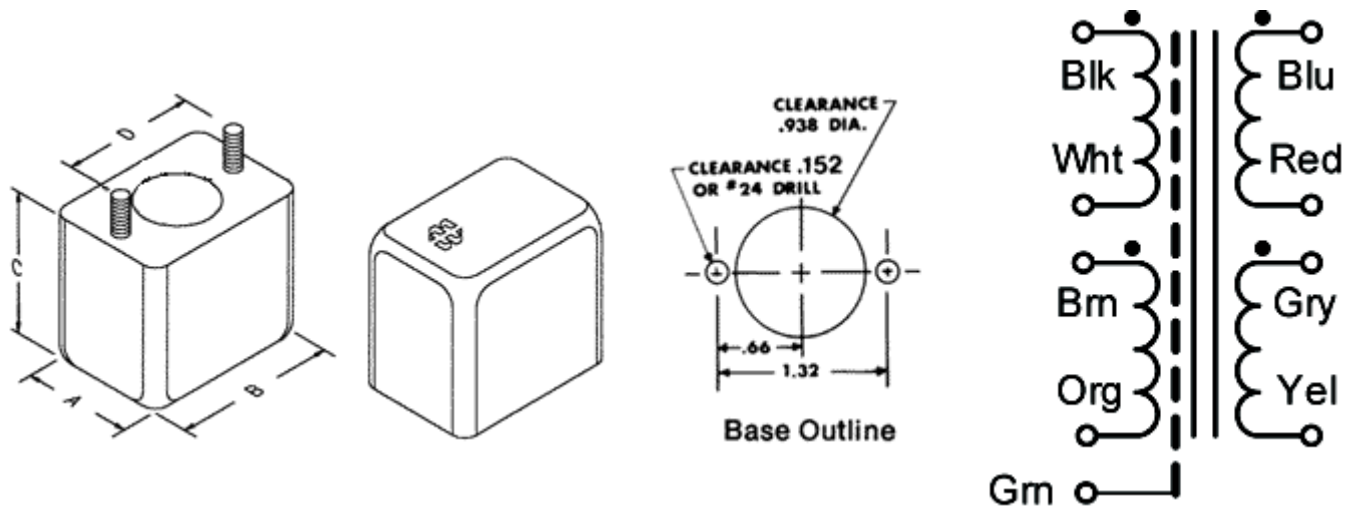
### **Key Features (850 "A" Series):**

- Deep-drawn steel case with tin plated finish, with two convenient 6-32 mounting studs with mounting hardware.
- Sealed case and wax potted core internally for stable characteristics and long life.
- Wide frequency response +/- 0.5 db max. from 20 Hz. to 20 Khz. (except units over 5K ohms impedance, may be down 1 db @ 20 Khz.)
- Insertion loss of apx. 1 db.
- Maximum power level +15 dbm. with specified characteristics, or higher levels with reduced low frequency performance.
- Distortion is apx. 1.5% @ 20 Hz. under full power.
- Electrostatic shield between pri. & sec. connected to the green lead.
- Humbucking construction
- Balanced split windings on pri. & sec. for circuit versatility. Primary may be used as a secondary and vice versa for impedance matching.
- Overall dimensions "B" = 1.7" (43.2 mm) x "A" = 1.2" (30.5 mm) x "C" = 1.65" (41.9 mm) high max. Mounting hole centers "D" = 1.32" (33.5 mm).
- Includes mounting hardware.
- Shipping weight 0.4 lb. (0.18 kg).

Part Number	Application	Nominal Impedance (Ohms)		Nominal Resistance (Ohms) +/- 20%	
		Primary	Secondary	Primary	Secondary
<b>850CA</b>	Emitter or MIC to Line	12/48	150/600	6	70
<b>850EA</b>	Emitter or MIC to Line	50/200	150/600	27	68

<b>850GA</b>	Line Isolation or Hybrid	150/600	150/600	71	71
<b>850HA</b>	Line Isolation or Hybrid	150/600	300/1200	70	140
<b>850JA</b>	Output to Line, or Line to Base	150/600	1200/4800	69	570
<b>850LA</b>	Output to Line, Matching or Bridging	5K/20K	150/600	2240	69
<b>850NA</b>	Output to Line, Matching or Interstage	150/600	10K/40K	65	4980
<b>850QA</b>	Interstage or Isolating	10K/40K	10K/40K	4890	4980

### *Mechanical & Schematic Data:*



Exactly what you are looking for???

Link to our stocking distributors - most have "on-line" pricing, stock check and ordering!!!

[Our Distributors](#)

[Order from your favorite distributor](#)

[Home](#) | [Products](#) | [Distributors](#) | [Technical](#) | [Contact Us](#) | [Other Options](#)

Copyright; © 2011-2013 Hammond Mfg Co Inc  
 URL: <http://www.hammondmfg.com>